

auto electrical parts

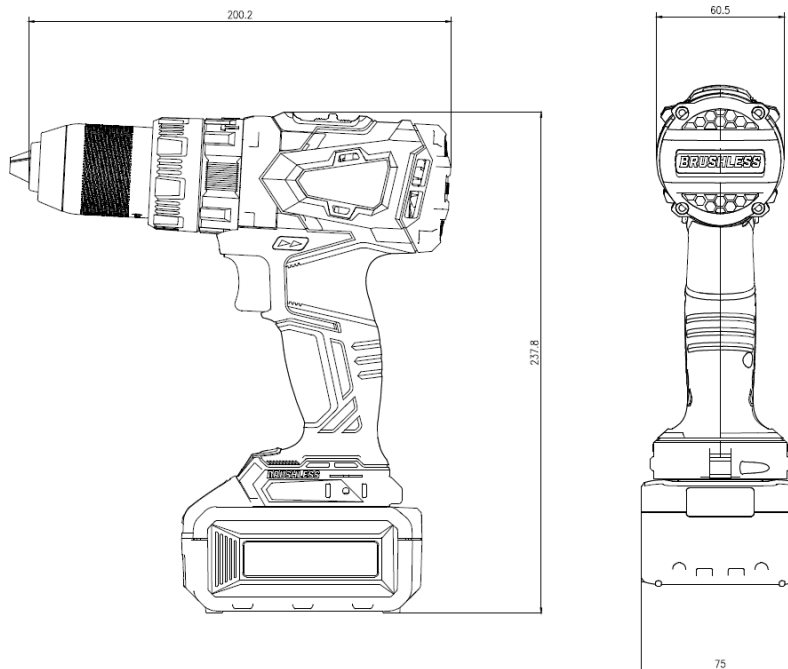
Technical Information Sheet

Part No. 0-467-26

Cordless 18.0V 13mm Drill with hammer action. Supplied with 2 x 4.0Ah Lithium Ion Batteries with USB output for charging external devices. No Load Speed 0-450min/0-2000min. Torque Adjust 21 + 1. Max Torque 62Nm. Chuck Capacity 1-13mm. Supplied in a BMC with a spare battery and UK 230V Charger.



Technical Drawing (not to scale)



Specification

Motor Voltage	18.0V DC
Motor Type	Digital, Brushless Motor BL4220
Chuck Capacity	13mm - Keyless 3 Jaw
Weight (Inc Bat)	1.77KG
Weight (Ex Bat)	1.145KG
No Load Speed	0-450min/0-2000min
Max Capacity (Steel / Wood)	13mm / 38mm
Max Torque	62Nm / 21 Positions + Drill Mode
Vibration	0-6750/0-30000IPM
Battery Type	Lithium Ion
Battery	18.0V 4.0Ah
Battery Weight	0.625KG
Charging Time	2 Hours
Approval	CE

The information contained in this document is correct to the best of our knowledge at the time of printing. However, specifications may change at any time without notice.